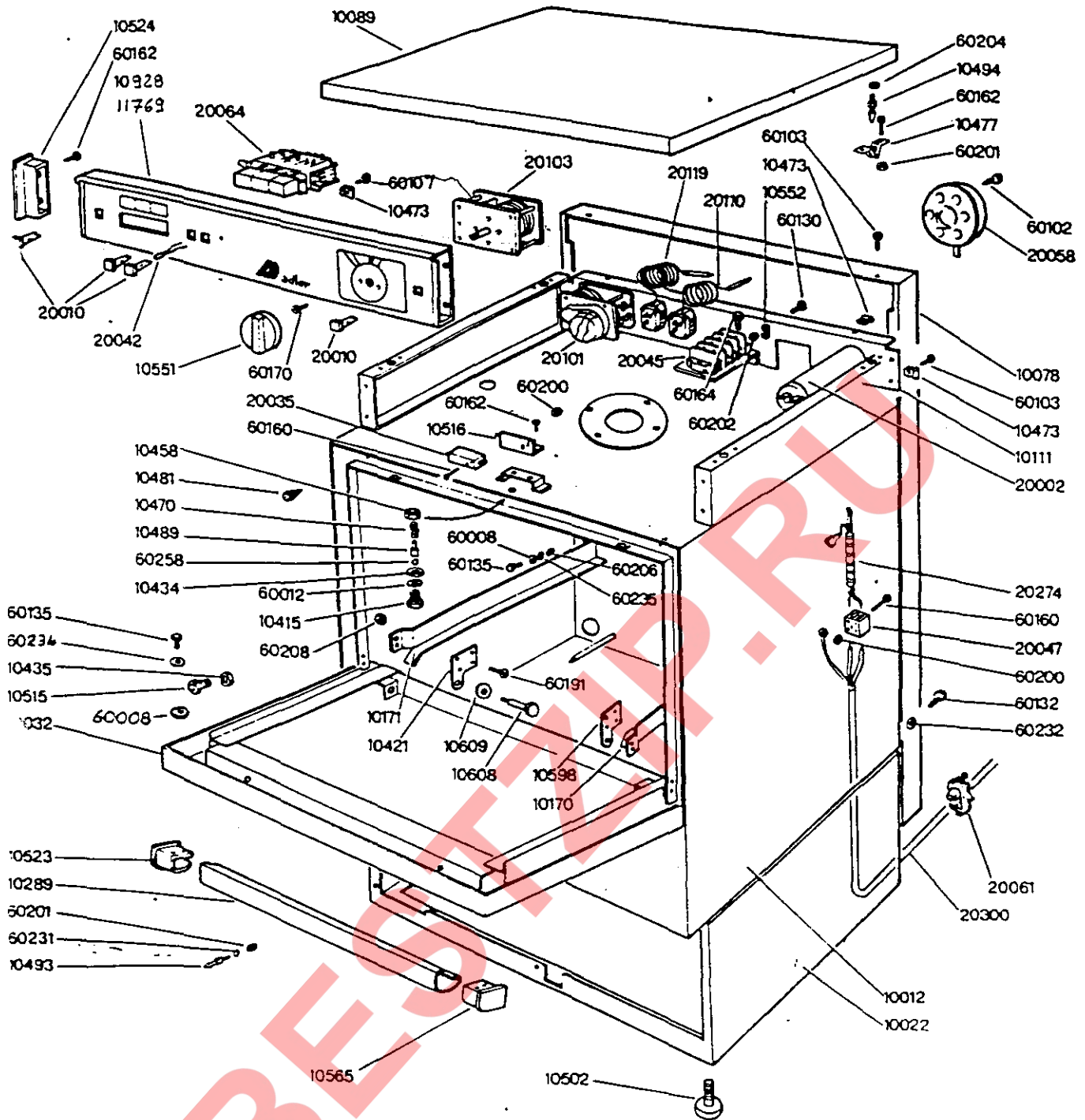


# TAV.100 MOD. B'40



U.S. 40440

# TAV. 101 MOD. B' 40

WASH/RINSE ARM COD. 10266  
 AXEL COD 10606 ARE CHANGED  
 FROM 1/1/85 NEW COD ARE  
 WASH/RINSE ARM 10266  
 AXEL 11352

MACHINES PRODUCED BEFORE  
 DATE WHEN IS REQUIRED  
 TO CHANGE THE WASH/RINSE  
 ARM IS NECESSARY TO ORDER  
 ALSO THE NEW AXEL

